

Keysight U2300A Series USB Multifunction Data Acquisition Devices

NOTICE: This document contains references to Agilent Technologies. Agilent's former Test and Measurement business has become Keysight Technologies. For more information, go to www.keysight.com.



Notices

Copyright Notice

© Keysight Technologies 2007 – 2017
No part of this manual may be reproduced in any form or by any means (including electronic storage and retrieval or translation into a foreign language) without prior agreement and written consent from Keysight Technologies as governed by United States and international copyright laws.

Manual Part Number

U2351-90203

Edition

Edition 7, June 1, 2017

Printed in:

Printed in Malaysia

Published by:

Keysight Technologies
Bayan Lepas Free Industrial Zone,
11900 Penang, Malaysia

Technology Licenses

The hardware and/or software described in this document are furnished under a license and may be used or copied only in accordance with the terms of such license.

Declaration of Conformity

Declarations of Conformity for this product and for other Keysight products may be downloaded from the Web. Go to <http://www.keysight.com/go/conformity>. You can then search by product number to find the latest Declaration of Conformity.

U.S. Government Rights

The Software is “commercial computer software,” as defined by Federal Acquisition Regulation (“FAR”) 2.101. Pursuant to FAR 12.212 and 27.405-3 and Department of Defense FAR Supplement (“DFARS”) 227.7202, the U.S. government acquires commercial computer software under the same terms by which the software is customarily provided to the public. Accordingly, Keysight provides the Software to U.S. government customers under its standard commercial license, which is embodied in its End User License Agreement (EULA), a copy of which can be found at <http://www.keysight.com/find/sweula>. The license set forth in the EULA represents the exclusive authority by which the U.S. government may use, modify, distribute, or disclose the Software. The EULA and the license set forth therein, does not require or permit, among other things, that Keysight: (1) Furnish technical information related to commercial computer software or commercial computer software documentation that is not customarily provided to the public; or (2) Relinquish to, or otherwise provide, the government rights in excess of these rights customarily provided to the public to use, modify, reproduce, release, perform, display, or disclose commercial computer software or commercial computer software documentation. No additional government requirements beyond those set forth in the EULA shall apply, except to the extent that those terms, rights, or licenses are explicitly required from all providers of commercial computer software pursuant to the FAR and the DFARS and are set forth specifically in writing elsewhere in the EULA. Keysight shall be under no obligation to update, revise or otherwise modify the Software. With respect to any technical data as defined by FAR 2.101, pursuant to FAR 12.211 and 27.404.2 and DFARS 227.7102, the U.S. government acquires no greater than Limited Rights as defined in FAR 27.401 or DFAR 227.7103-5 (c), as applicable in any technical data.

Warranty

THE MATERIAL CONTAINED IN THIS DOCUMENT IS PROVIDED “AS IS,” AND IS SUBJECT TO BEING CHANGED, WITHOUT NOTICE, IN FUTURE EDITIONS. FURTHER, TO THE MAXIMUM EXTENT PERMITTED BY APPLICABLE LAW, KEYSIGHT DISCLAIMS ALL WARRANTIES, EITHER EXPRESS OR IMPLIED, WITH REGARD TO THIS MANUAL AND ANY INFORMATION CONTAINED HEREIN, INCLUDING BUT NOT LIMITED TO THE IMPLIED WARRANTIES OF MERCHANTABILITY AND FITNESS FOR A PARTICULAR PURPOSE. KEYSIGHT SHALL NOT BE LIABLE FOR ERRORS OR FOR INCIDENTAL OR CONSEQUENTIAL DAMAGES IN CONNECTION WITH THE FURNISHING, USE, OR PERFORMANCE OF THIS DOCUMENT OR OF ANY INFORMATION CONTAINED HEREIN. SHOULD KEYSIGHT AND THE USER HAVE A SEPARATE WRITTEN AGREEMENT WITH WARRANTY TERMS COVERING THE MATERIAL IN THIS DOCUMENT THAT CONFLICT WITH THESE TERMS, THE WARRANTY TERMS IN THE SEPARATE AGREEMENT SHALL CONTROL.

Safety Information

CAUTION

A CAUTION notice denotes a hazard. It calls attention to an operating procedure, practice, or the like that, if not correctly performed or adhered to, could result in damage to the product or loss of important data. Do not proceed beyond a CAUTION notice until the indicated conditions are fully understood and met.

WARNING




A WARNING notice denotes a hazard. It calls attention to an operating procedure, practice, or the like that, if not correctly performed or adhered to, could result in personal injury or death. Do not proceed beyond a WARNING notice until the indicated conditions are fully understood and met.

Safety Symbols

The following symbols indicate that precautions must be taken to maintain safe operation of the instrument.

 Direct current	 Warning
--	---

Regulatory Markings

 <p>The CE mark shows that the product complies with all the relevant European Legal Directives (if accompanied by a year, it signifies when the design was proven).</p>	 <p>The CSA mark is a registered trademark of the Canadian Standards Association. A CSA mark with the indicators "C" and "US" means that the product is certified for both the U.S. and Canadian markets, to the applicable American and Canadian standards.</p>
 <p>The RCM mark is a registered trademark of the Australian Communications and Media Authority.</p>	

General Safety Information

The following general safety precautions must be observed during all phases of operation, service, and repair of this instrument. Failure to comply with these precautions or with specific warnings elsewhere in this manual violates safety standards for design, manufacture, and intended use of the instrument. Keysight Technologies assumes no liability for the customer's failure to comply with these requirements.

WARNING

- Do not use the device if it is damaged. Before you use the device, inspect the case. Look for cracks or missing plastic. Do not operate the device around explosive gas, vapor or dust.
 - Do not apply more than the rated voltage (as marked on the device) between terminals, or between terminal and external ground.
 - Always use the device with the cables provided.
 - Observe all markings on the device before connecting to the device.
 - Turn off the device and application system power before connecting to the I/O terminals.
 - When servicing the device, use only specified replacement parts.
 - Do not operate the device with the removable cover removed or loosened.
 - Do not connect any cables and terminal block prior to performing self-test process.
 - Use only the power adapter supplied by the manufacturer to avoid any unexpected hazards.
-

CAUTION

- Do not load the output terminals above the specified current limits. Applying excessive voltage or overloading the device will cause irreversible damage to the circuitry.
 - Applying excessive voltage or overloading the input terminal will damage the device permanently.
 - If the device is used in a manner not specified by the manufacturer, the protection provided by the device may be impaired.
 - Always use dry cloth to clean the device. Do not use ethyl alcohol or any other volatile liquid to clean the device.
 - Do not permit any blockage of the ventilation holes of the device.
-

Waste Electrical and Electronic Equipment (WEEE) Directive 2002/96/EC

This instrument complies with the WEEE Directive (2002/96/EC) marking requirement. This affixed product label indicates that you must not discard this electrical or electronic product in domestic household waste.

Product category:

With reference to the equipment types in the WEEE directive Annex 1, this instrument is classified as a “Monitoring and Control Instrument” product.

The affixed product label is as shown below.



Do not dispose in domestic household waste.

To return this unwanted instrument, contact your nearest Keysight Service Center, or visit <http://about.keysight.com/en/companyinfo/environment/takeback.shtml> for more information.

Sales and Technical Support

To contact Keysight for sales and technical support, refer to the support links on the following Keysight websites:

- www.keysight.com/find/U2300A
(product-specific information and support, software and documentation updates)
- www.keysight.com/find/assist
(worldwide contact information for repair and service)

THIS PAGE HAS BEEN INTENTIONALLY LEFT BLANK.

Table of Contents

Safety Symbols	5
Regulatory Markings	6
General Safety Information	7
Waste Electrical and Electronic Equipment (WEEE) Directive 2002/96/EC	9
Product category:	9
Sales and Technical Support	9
1 Characteristics and Specifications	
2 Calibration	
Introduction	20
Types Of Signal Sources	21
Ground-referenced signal sources	21
Floating signal sources	21
Input Configurations	22
Single-ended connections	22
Differential Input Mode	24
Hardware Connection	26
Self-Calibration	30
Adjustment Procedures	36
Performance Verification Procedure	38
A/D Data Conversion	42
3 Dismantle Procedures	
General Disassemble	46
Mechanical Disassemble	46
Replacement Parts	50
4 Troubleshooting and Self-Test Procedures	
Troubleshooting	52

Self-Test Procedures	53
A Connector Pins Configuration	
Pins Configuration for U2331A, U2355A and U2356A	56
Pins Configuration for U2351A, U2352A, U2353A and U2354A	57
B Test Limits	
Analog Input	62
Analog Output	68

List of Figures

Figure 2-1	Floating source and RSE input connections	22
Figure 2-2	Ground-referenced sources and NRSE input connections	23
Figure 2-3	Ground-referenced source and differential input mode	24
Figure 2-4	Floating source and differential input	25
Figure 2-5	The analog input and calibrator connection	27
Figure 2-6	The analog input and calibrator connection	27
Figure 2-7	The analog input and DMM connection	29
Figure 2-8	The analog output and DMM connection	29
Figure 2-9	Launch the Interactive IO in Keysight Connection Expert	31
Figure 2-10	Interactive IO dialog box	32
Figure 2-11	Self Calibration Form dialog box in Keysight Measurement Manager	33
Figure 2-12	Self Calibration Form dialog box in Keysight Measurement Manager with a device being selected	34
Figure 2-13	Self Calibration Form dialog box in Keysight Measurement Manager showing the status and result of the self-calibration process	35
Figure 2-14	The flowchart showing the steps for 5 V calibration	36
Figure A-1	Pins Configuration of Connector 1 for U2331A, U2355A, U2356A	56
Figure A-2	Pins Configuration of Connector 2 for U2331A, U2355A, U2356A	56
Figure A-3	Pins Configuration for U2352A, U2354A	57
Figure A-4	Pins Configuration for U2351A, U2353A	57

THIS PAGE HAS BEEN INTENTIONALLY LEFT BLANK.

List of Tables

Table 2-1	Step-by-step descriptions for Figure 2-10	37
Table 3-1	Replacement parts list	50
Table A-1	68-pin VHDCI connector pins descriptions	58

THIS PAGE HAS BEEN INTENTIONALLY LEFT BLANK.

1 Characteristics and Specifications

For the characteristics and specifications of the U2300A Series USB Multifunction Data Acquisition Devices, refer to the datasheet at <http://literature.cdn.keysight.com/litweb/pdf/5991-0566EN.pdf>.

THIS PAGE HAS BEEN INTENTIONALLY LEFT BLANK.

2 Calibration

Introduction	20
Types Of Signal Sources	21
Input Configurations	22
Hardware Connection	26
Self-Calibration	30
Adjustment Procedures	36
Performance Verification Procedure	38
A/D Data Conversion	42

This chapter includes the equipments required for the calibration procedure and describe the hardware connection for analog input and analog output. The self-calibration procedure, performance verification procedure and adjustment procedure are also included.

Introduction

Prior to checking the performance of the instrument, ensure that you have all the equipments listed in the following to perform the verification procedure for analog input and analog output.

Equipment Checklist

- ✓ Keysight U2300A Series USB Multifunction DAQ devices
- ✓ Keysight Digital Multimeter (DMM) 34401A/34410A
- ✓ Fluke Calibrator 5520A/5720A
- ✓ Computer with Keysight IO Library Suites installed
- ✓ U2901A Terminal Block
- ✓ USB Mini-B Cable
- ✓ U2901A SCSI Cable

Follow the following steps to ensure the instrument gives accurate analog input readings and analog outputs.

- 1 Perform the self-calibration procedure. See “[Self-Calibration](#)”.
- 2 Perform the performance verification procedure. See “[Performance Verification Procedure](#)”, “[Analog Input Connection](#)” for information on analog input connection and “[Analog Output Connection](#)” for information on analog output connection.
- 3 If the instrument gives accurate readings or accurate outputs, adjustment procedure is not necessary. If the instrument does not give accurate readings or accurate outputs, perform the adjustment procedure. See “[Adjustment Procedures](#)”.
- 4 After perform the adjustment procedure, repeat the self-calibration procedure and then perform the verification procedure.
- 5 If the instrument still does not give accurate readings or accurate outputs, repeat step 3 and step 4.

Types Of Signal Sources

Ground-referenced signal sources

A ground-referenced signal source is defined as a signal source that is connected in some way to the building's grounding system. This means that the signal source is connected to a common ground point with respect to the U2300A series DAQ (assume the host PC which is connected with DAQ is in the same power ground).

Floating signal sources

A floating signal source is a signal that is not connected to the building's grounding system. It is also a device with an isolated output. Example of floating signal sources are optical isolator output, transformer output, and thermocouple.

Input Configurations

Single-ended connections

A single-ended connection is applicable when the analog input signal is referenced to a ground and can be shared with other analog input signals. There are two different types of single-ended connections, which are RSE and NRSE configuration.

– **Referenced Single-Ended (RSE) mode**

In referenced single-ended mode, all the input signals are connected to the ground provided by the U2300A series DAQ and suitable for connections with floating signal sources. The following figure illustrates the RSE mode.

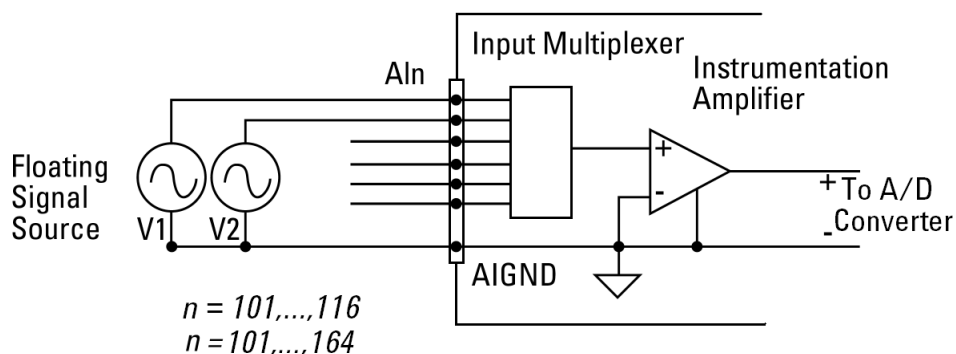


Figure 2-1 Floating source and RSE input connections

NOTE

When more than two floating sources are connected, these sources are referenced to the same common ground.

– **Non-Referenced Single-Ended (NRSE) Mode**

In NRSE mode, the DAQ device does not provide the grounding point. The ground reference point is provided by the external analog input signal. You can connect the signals in NRSE mode to measure ground-referenced signal sources, which are connected to the same grounding point. The following figure illustrates the connection. The signal local ground reference is connected to the negative input of the instrumentation Amplifier (AI_SENSE pin on connector1). Hence, any potential difference of the common mode ground between signal ground and the signal ground on DAQ board will be rejected by the instrumentation amplifier.

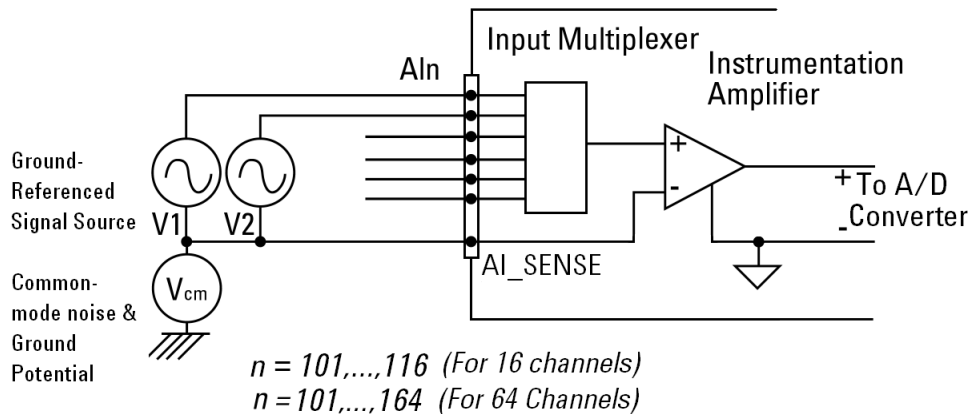


Figure 2-2 Ground-referenced sources and NRSE input connections

Differential Input Mode

The differential input mode provides two inputs that respond to the difference of the signal voltage. The analog input of the U2300A series DAQ has its own reference ground or signal return path. The differential mode can be used for the common-mode noise rejection if the signal source is ground-referenced. The following figure shows the connection of ground-referenced signal sources under differential input mode.

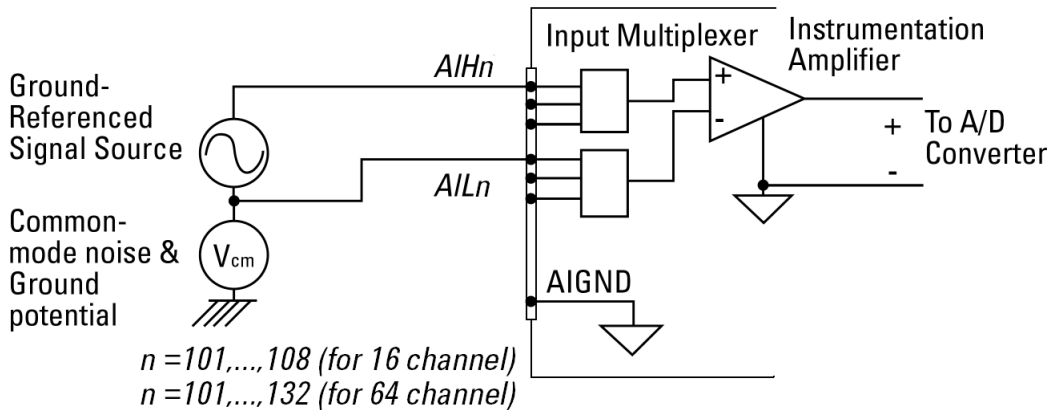


Figure 2-3 Ground-referenced source and differential input mode

The following figure illustrates the connection of a floating signal source to the U2300A series DAQ in differential input mode. For floating signal sources, additional resistor is needed at each channel to provide a bias return path. The resistor value is equivalent to about 100 times the source impedance. If the source impedance is less than 100 Ω , you can connect the negative polarity of the signal directly to AI_GND, as well as the negative input of the Instrumentation Amplifier. The noise couples in differential input mode are less compared to the single-ended mode.

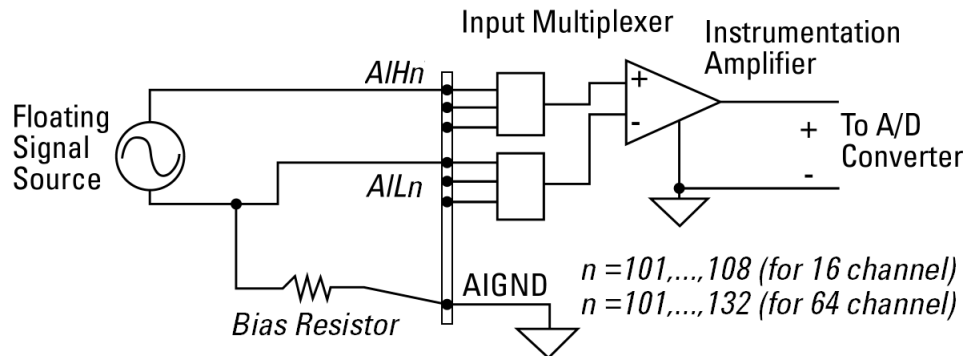


Figure 2-4 Floating source and differential input

NOTE

- Keysight U2300A series DAQ is designed with high input impedance. Please ensure that all the connection are connected properly before acquiring any data. Failing to do so may cause data fluctuation or erroneous readings.
- Unused pins at multiplexing DAQ inputs can be treated as floating source with infinite output impedance. Therefore, necessary grounding system is required in user application system.

Hardware Connection

The connection to verify the analog input readings and analog outputs are different. To verify the analog input readings, see “[Analog Input Connection](#)” for descriptions on the way to connect the instruments. To verify the analog outputs, see “[Analog Output Connection](#)” for descriptions on hardware setup.

Analog Input Connection

The equipments required for analog input connection are the DAQ device, Fluke calibrator, terminal block, USB mini-B cable and SCSI cable. Follow the following step-by-step instruction for analog input connection.

- 1 Connect the DAQ device to a PC with a USB mini-B cable and connect the DAQ device to a U2901A terminal block using the U2901A SCSI cable.

NOTE

- Ensure that the PC has the DAQ device’s driver and the Keysight IO Libraries 14.2 or higher installed. Note that the Keysight Measurement Manager software comes with the standard purchase of the U2300A Series DAQ devices.
- If you do not have the DAQ device’s driver and the Keysight IO Libraries 14.2 or higher installed, refer to the *Keysight U2300A Series Data Acquisition Devices and Keysight Measurement Manager Quick Start Guide*, for more information on the installation.

- 2 Short all the DAQ device’s analog input channels. Refer to “[Connector Pins Configuration](#)” for the pins assignment.
- 3 Connect the DAQ device’s analog input channels to the calibrator output.
- 4 Connect the DAQ device’s analog input ground (AI_GND) to the calibrator ground. See Figure 2-1. Note that the analog inputs shown in the figure uses U2351A as an example.

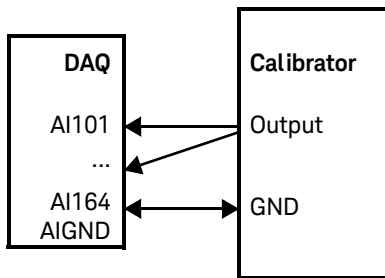


Figure 2-5 The analog input and calibrator connection
Setup diagram

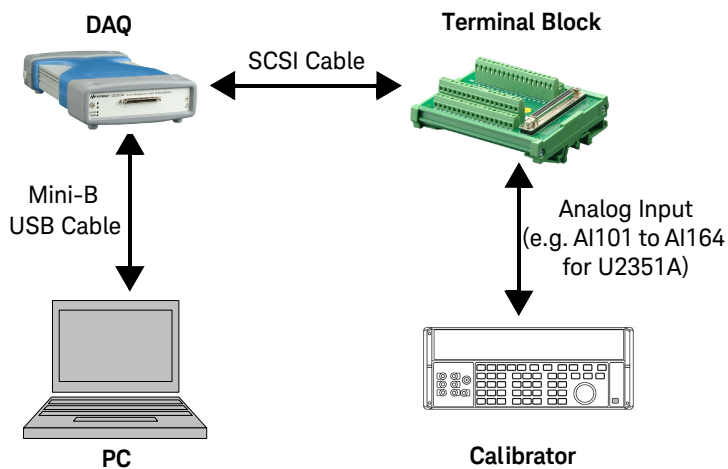


Figure 2-6 The analog input and calibrator connection

Analog Output Connection

The equipments required for analog output connection are the DAQ device, DMM, terminal block, USB mini-B cable and SCSI cable. Follow the following step-by-step instruction for analog input connection.

- 1 Connect the DAQ device to a PC with a USB mini-B cable and connect the DAQ device to a U2901A terminal block using the U2901A SCSI cable.

NOTE

- Ensure that the PC has the DAQ device's driver and the Keysight IO Libraries 14.2 or higher installed. Note that the Keysight Measurement Manager software comes with the standard purchase of the U2300A Series DAQ devices.
 - If you do not have the DAQ device's driver and the Keysight IO Libraries 14.2 or higher installed, refer to the *Keysight U2300A Series Data Acquisition Devices and Keysight Measurement Manager Quick Start Guide*, for more information on the installation.
-

- 2 Connect a wire at each pin you would like to test on the U2901A terminal block. (Refer to "[Connector Pins Configuration](#)" for the pins assignment)
- 3 Connect the DAQ device's analog output channel 1 (AO201) to the DMM input.
- 4 Connect the DAQ device's analog output ground (AO_GND) to DMM GND.
- 5 Repeat steps 3 and 4 for analog output channel 2 (AO202).

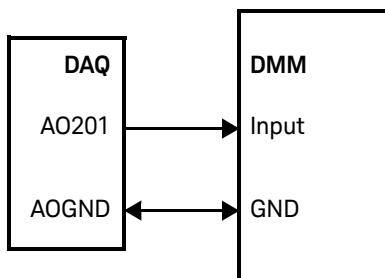


Figure 2-7 The analog input and DMM connection

Setup diagram

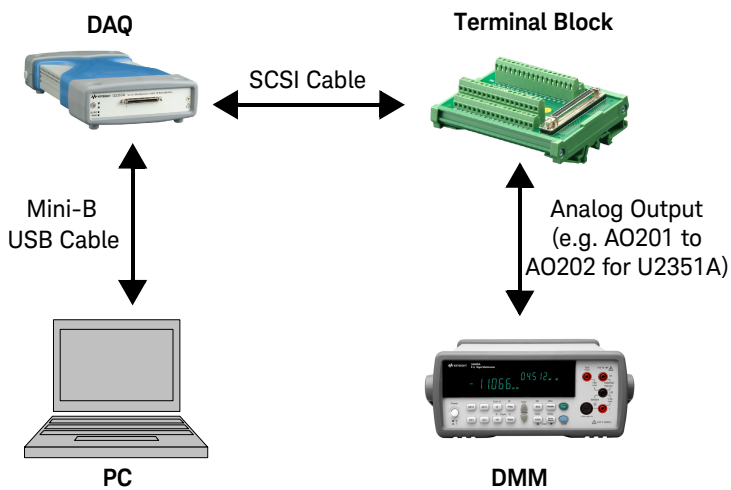


Figure 2-8 The analog output and DMM connection

Self-Calibration

Self-calibration can be operated using the following SCPI command via Keysight Connection Expert.

CALibration:BEIn

In calibration mode, the command will initiate a voltage adjustment in sequence for the specified Digital Analog Converter (DAC) channel. This sequence sets a zero and gain adjustment constant for each DAC output.

The function of DAQ device will not carry on until the self-calibration has completed. You can query the status of the self-calibration performed using the following SCPI command.

***OPC?**

Two ways of performing the self-calibration will be introduced in this section. The first option is to use the Keysight Connection Expert to send the SCPI commands and the second option is to use the Keysight Measurement Manager application software.

Option 1: Self-calibration with Keysight Connection Expert

WARNING

- Unplug all cables that are connected to the DAQ device before performing self-calibration.
- Any cables connected to the DAQ device may cause the failure of the self-calibration process.

- 1 Power on the DAQ and disconnect all connections from DAQ device. Warm it up for 30 minutes to ensure that it is operating at stable condition.
- 2 Go to **Start > All Programs > Keysight IO Libraries Suite > Keysight Connection Expert** to launch the Keysight Connection Expert.
- 3 Connect the DAQ device to the PC with mini-B type USB cable. The connected DAQ device will be visible in the **Instrument I/O on this PC** panel as illustrated in Figure 2-5.
- 4 Select the DAQ device that you wish to send the SCPI commands to and then click the **Interactive IO** icon on the toolbar to launch the Keysight Interactive IO. See Figure 2-5.

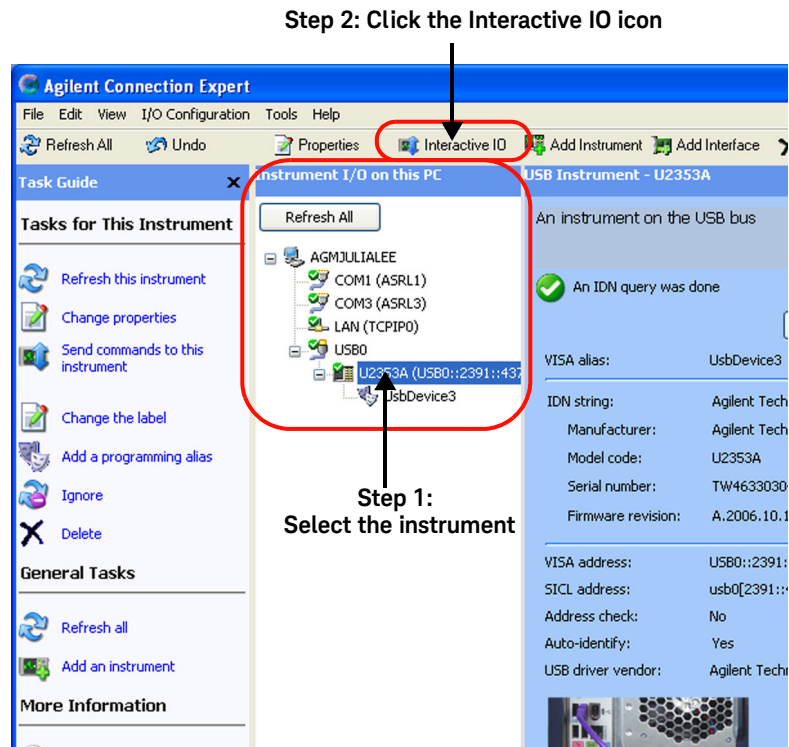


Figure 2-9 Launch the Interactive IO in Keysight Connection Expert

- 5 The **Keysight Interactive IO** dialog box will appear as shown in Figure 2-6. Click **Send & Read** to send the “*IDN?” default command. This instrument’s response should appear in the **Instrument Session History** panel.
- 6 Successful communication between the Keysight Connection Expert and the connected hardware will be shown in the **Instrument Session History** panel. The users may now send other SCPI commands to the instrument.

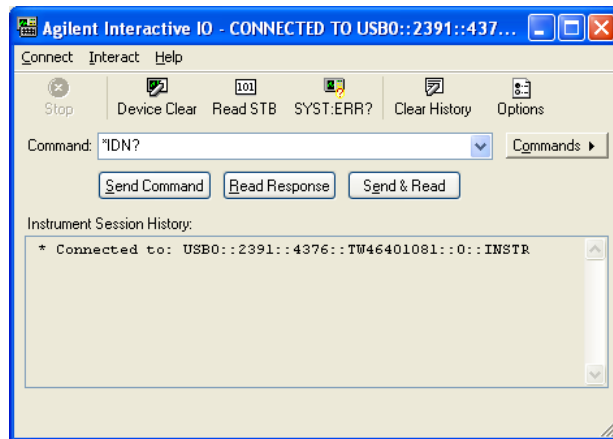


Figure 2-10 Interactive IO dialog box

- 7** Ensure that the DAQ device has been warmed up for 30 minutes. Send the SCPI commands “*RST” and “*CLS” to clear the register in DAQ device.
- 8** Send “CAL :BEG” to start the self-calibration process. This process may take a few minutes to complete.
- 9** Send “*OPC?” to check the operation complete status.
- 10** If “*OPC?” return 1, send “SYST:ERR?” to check if any system error has occurred during the self-calibration process. If there is no system error, the self-calibration process is done. Otherwise, the self-calibration process is failed.

Option 2: Self-calibration with Keysight Measurement Manager

WARNING

- Unplug all cables that are connected to the DAQ device before performing self-calibration.
- Any cables connected to the DAQ device may cause the failure of the self-calibration process.

- 1 Power on the DAQ device and disconnect all connections from it. Warm it up for 30 minutes to ensure that it is operating at stable condition.
- 2 Connect the DAQ device to the PC with mini-B type USB cable. Launch the Keysight Measurement Manager and select the DAQ device you wish to do the self-calibration process.
- 3 Go to **Tools** and select **Self Calibration**.
- 4 The **Self Calibration Form** dialog box will appear as shown below.

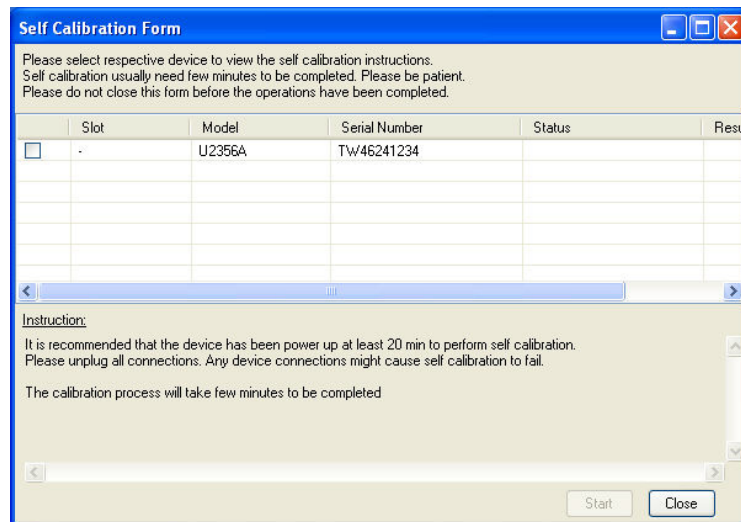


Figure 2-11 Self Calibration Form dialog box in Keysight Measurement Manager

- 5 Select the instrument that you would like to perform self-calibration and the **Start** button will be enabled. Click **Start** to proceed. See Figure 2-8.
- 6 The calibration process will take a few minutes to be completed. Once done, the status and results of the process will be displayed as shown in Figure 2-9.

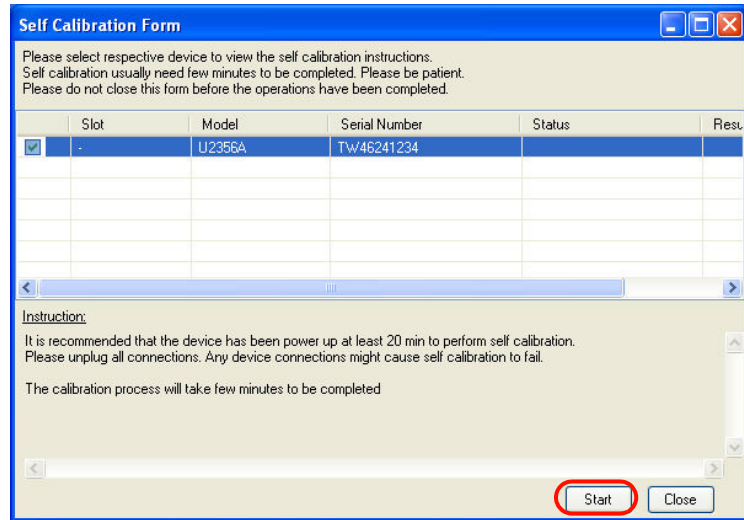


Figure 2-12 Self Calibration Form dialog box in Keysight Measurement Manager with a device being selected

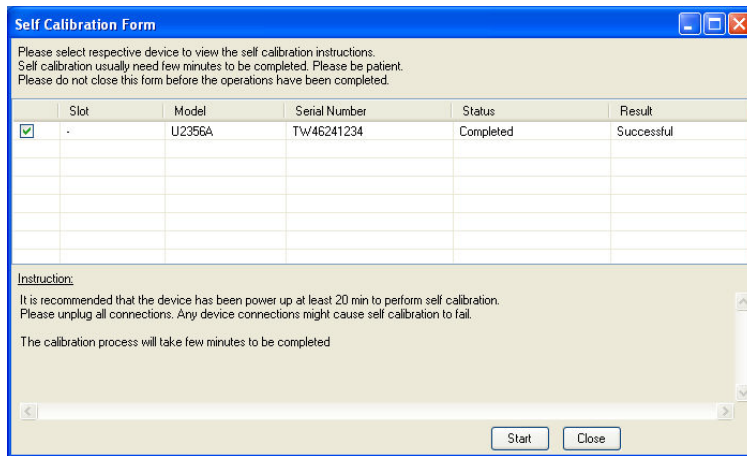


Figure 2-13 Self Calibration Form dialog box in Keysight Measurement Manager showing the status and result of the self-calibration process

Adjustment Procedures

DAQ on-board 5 V calibration

If in the performance verification procedure is not accurate, adjustment procedure is required. The following flowchart shows the steps for 5 V calibration.

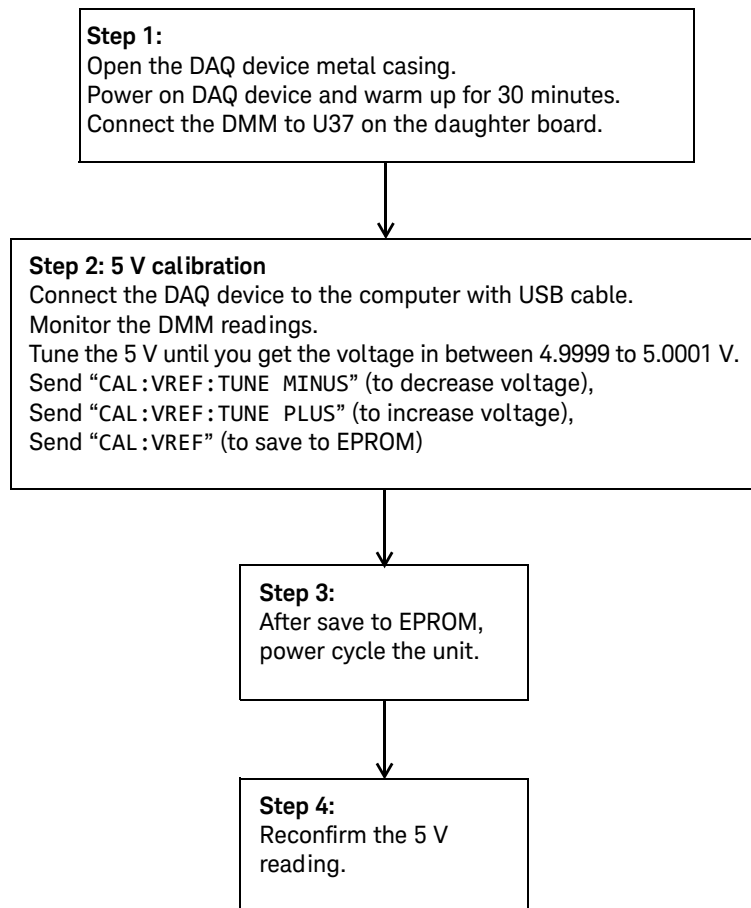
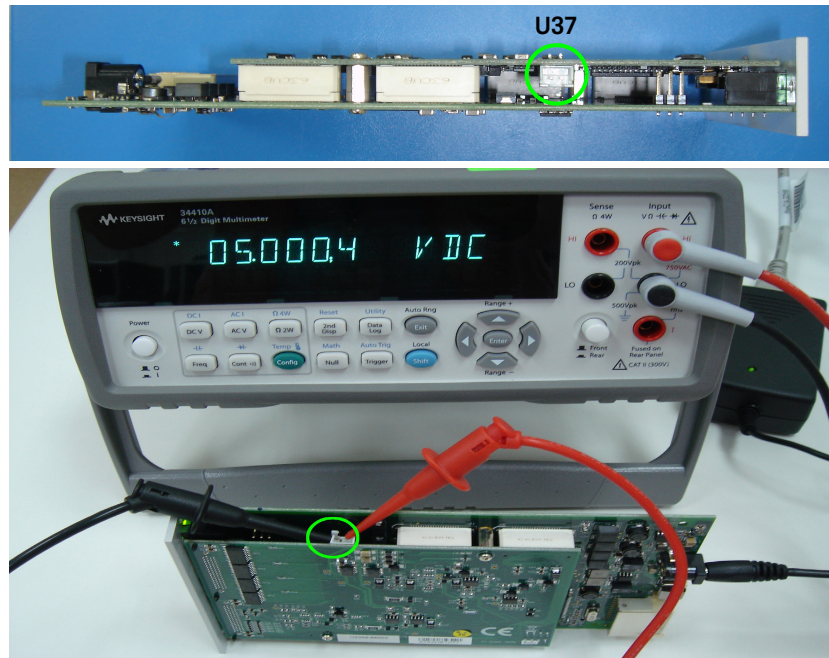


Figure 2-14 The flowchart showing the steps for 5 V calibration

Table 2-1 Step-by-step descriptions for Figure 2-10

Step	Descriptions
Step 1	Before power on the DAQ device, open the DAQ device's metal casing. Refer to "Dismantle Procedures" for more information to disassemble the unit. Then, power on the DAQ device and warm it up for approximately 30 minutes. Connect the DMM to U37 on the daughter board. The following images shows the location of U37 and the way to connect it.



- Step 2 Ensure that the DAQ device's driver is installed in the computer before connecting it to the computer. The driver can be obtained from the *Keysight USB Modular Instrument U2300A & U2700A Series Product Reference CD-ROM*. Measure the voltage difference at **U37** with the DMM. If the measured voltage is more than 5 V, send the command "**CAL :VREF :TUNE MINUS**" to decrease the voltage, otherwise if the measured voltage is less than 5 V, send the command "**CAL :VREF :TUNE PLUS**" to increase the voltage. Tune the voltage until the measured voltage is in the range of 4.9999 V and 5.0001 V. When the tuning process is done, send "**CAL :VREF**" to save it in the EPROM.
- Step 3 Power cycle the DAQ device by turning on and off the DAQ device.
- Step 4 Measure the voltage at **U37** again to ensure the measured voltage is in the range of 4.9999V to 5.0001 V. If there is any problem occurs, the DMM will not measure the voltage in the specified range. Proceed to self calibration procedure.

Performance Verification Procedure

Prior to calibrate the instrument, check the performance of the instrument to see if any adjustment is required, “**Step 2: DAQ configuration and verification test**”.

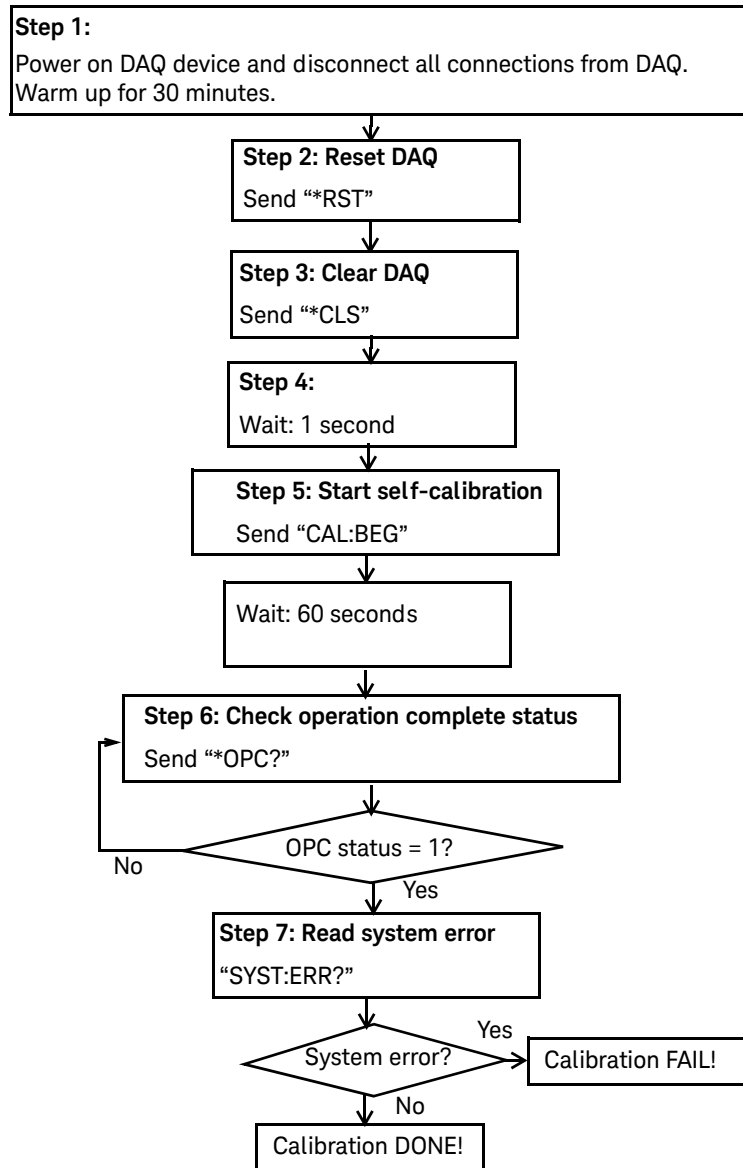
This is to ensure that the DAQ device gives accurate readings or outputs. The performance verification procedure for analog input and analog output are automated and are verify using the *Automated Calibration* software.

The performance verification procedure involve two steps:

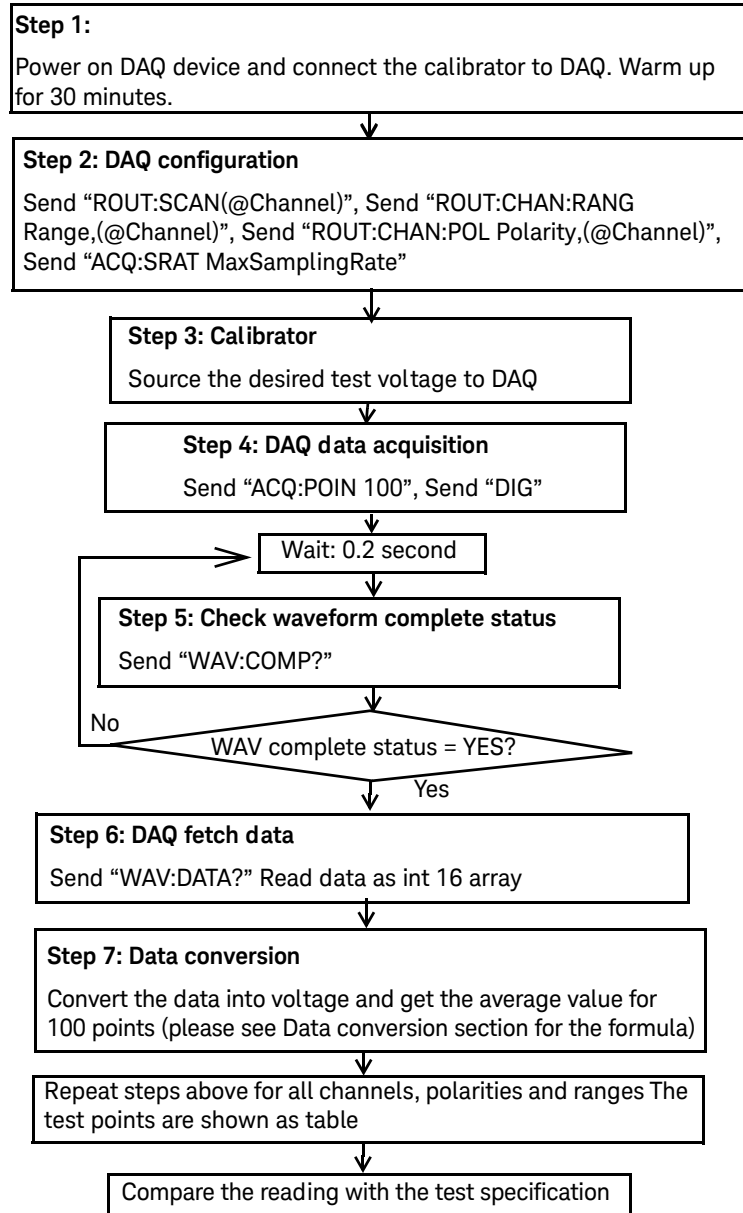
Step 1: DAQ self-calibration

Step 2: DAQ configuration and verification test

Analog Output

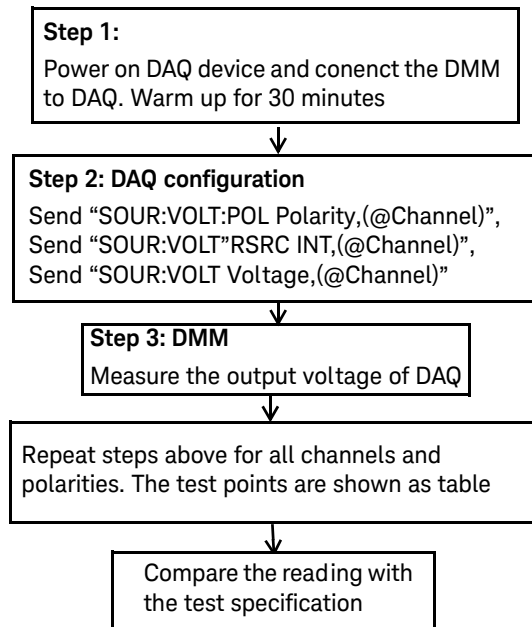
Step 1: DAQ self-calibration

Step 2: DAQ configuration and verification test



NOTE

Byte ordering must use LSB first.

Analog Output

A/D Data Conversion

A/D data conversion converts analog voltage into digital information. The following section illustrates the format of acquired raw data for the A/D conversion.

Below is the illustrated example of the acquired raw data scan list for CH 101, CH 102, and CH 103.

#800000200	<byte>	<byte>	<byte>	<byte>	<byte>	<byte>	<byte>	<byte>	<byte>	...
Data length indicator, The next 8 bytes (0000 0200) specifying the actual data length only, not actual data. Data length (200 bytes long)	1st data LSB	1st data MSB	1st data LSB	1st data MSB	1st data LSB	1st data MSB	2nd data LSB	2nd data MSB
	CH 101		CH 102		CH 103		CH 101	

16-bit Data Format

LSB	MSB
DDDD DDDD	DDDD DDDD

12-bit Data Format

LSB	MSB
DDDD XXXX	DDDD DDDD

D - Data bits
X - Unused bits

Raw data conversion

To convert the data into an actual float number, we need the voltage range and polarity information. Below are the calculations on the raw data conversion for both bipolar and unipolar.

To perform a sample calculation of the conversion, take the U2356A as an example. The resolution of U2356A is 16 bits and the range is taken as 10 V. The Int16b value calculated using conversion algorithm is 12768.

Hence, the 16 bits binary read back calculation will be as follows.

$$\begin{array}{l} \text{LSB} \qquad \qquad \text{MSB} \\ \langle 11100000 \rangle \langle 00110001 \rangle \\ = 12768 \end{array}$$

NOTE

The raw data provided by U2300A series DAQ devices is in the byte order of LSB first.

Bipolar:

$$\text{Converted value} = \left(\frac{2 \times \text{Int16 value}}{2^{\text{resolution}}} \right) \times \text{Range}$$

$$\text{Example of converted value} = \left(\frac{2 \times 12768}{2^{16}} \right) \times 10 = 3.896 \text{ V}$$

Unipolar:

$$\text{Converted value} = \left(\frac{\text{Int16 value}}{2^{\text{resolution}}} + 0.5 \right) \times \text{Range}$$

$$\text{Example of converted value} = \left(\frac{12768}{2^{16}} + 0.5 \right) \times 10 = 6.948 \text{ V}$$

NOTE

The converted value is of float type. As such, you may need to type cast the Int16 value to float in your programming environment.

To perform a sample calculation of the conversion, take the U2331A as an example. The resolution of U2331A is 12 bits and the range is taken as 10 V. The Int12b value calculated using conversion algorithm is 12768.

LSB **MSB**
 <11110000> <00110001>
 = 12768

There are unused bits in the 12-bit data format. Therefore, there is a need to perform a 4-bit right shift operation. Hence, the 12 bits binary read back calculation will be as follows.

LSB **MSB**
 <00011110> <00000011>
 = 798

NOTE

The raw data provided by U2300A series DAQ devices is in the byte order of LSB first.

Bipolar:

$$\text{Converted value} = \left(\frac{2 \times \text{Int16 value}}{2^{\text{resolution}}} \right) \times \text{Range}$$

$$\text{Example of converted value} = \left(\frac{2 \times 798}{2^{12}} \right) \times 10 = 3.896 \text{ V}$$

Unipolar:

$$\text{Converted value} = \left(\frac{\text{Int16 value}}{2^{\text{resolution}}} + 0.5 \right) \times \text{Range}$$

$$\text{Example of converted value} = \left(\frac{798}{2^{12}} + 0.5 \right) \times 10 = 6.948 \text{ V}$$

NOTE

- The converted value is of float type. As such, you may need to type cast the Int12 value to float in your programming environment.
- For the U2331A, there is a need to perform a 4-bit right shift operation. This is because it is equipped with 12-bit ADC, and the last 4 bits are truncated.

3 Dismantle Procedures

General Disassemble	46
Replacement Parts	50

This chapter describes the step-by-step disassemble procedures and list the available replacement parts for U2300A Series DAQ devices,

General Disassemble

This chapter provides the step-by-step guides on how to dismantle the module and install the replacement assembly. To assemble back the module, follow the instructions in reverse order.

NOTE

The parts shown in the following figures are representative and may look different than what you have in your module.

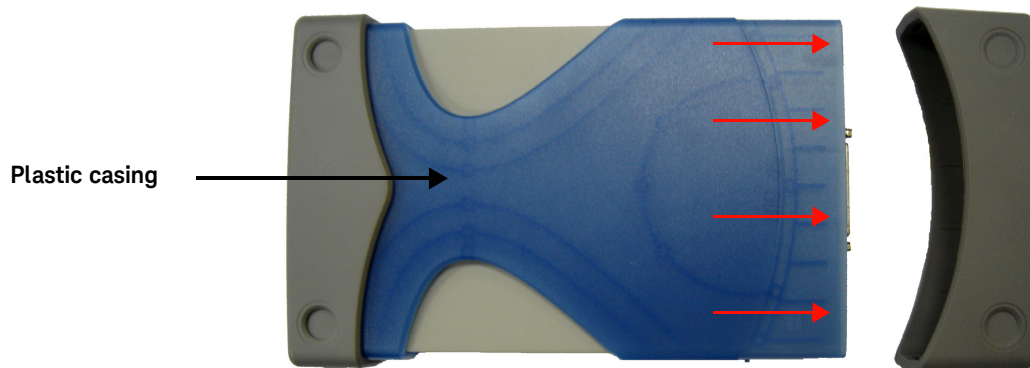
The removable assemblies include:

- Plastic casing
- Metal casing
- Rear metal casing
- Front metal casing, which is attached to the carrier board and measurement board

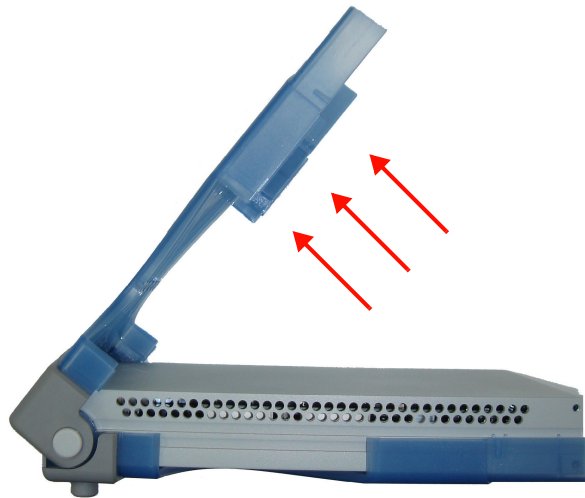
Mechanical Disassemble

Follow the instructions in this section for the instrument disassemble process.

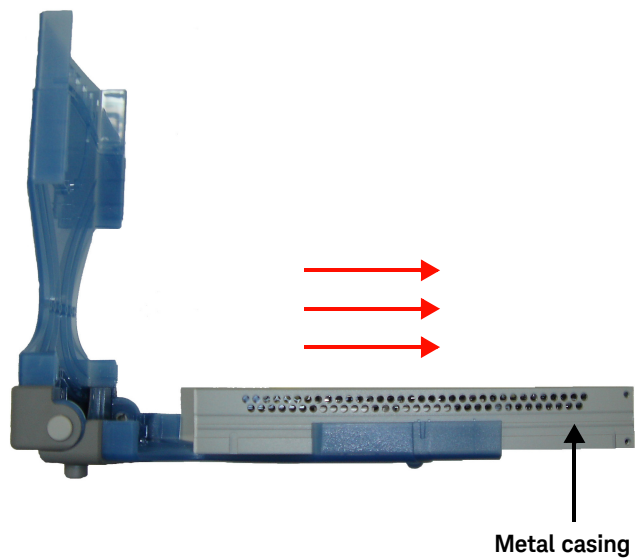
Step 1: Pull the bumper out to remove the plastic casing.



Step 2: Flip the plastic casing open.



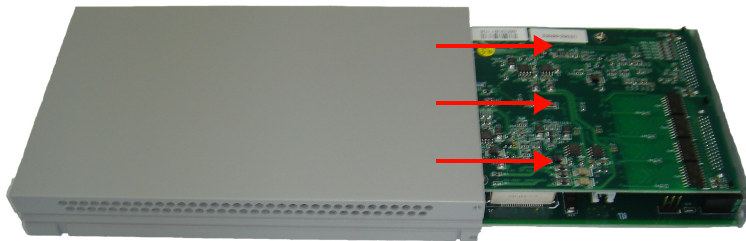
Step 3: Slide the metal casing out of the plastic casing.



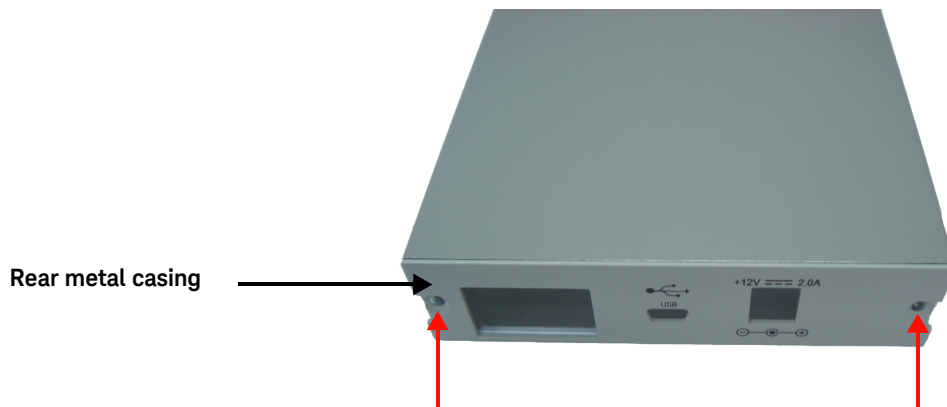
Step 4: Unscrew all the following indicated screws from metal casing.



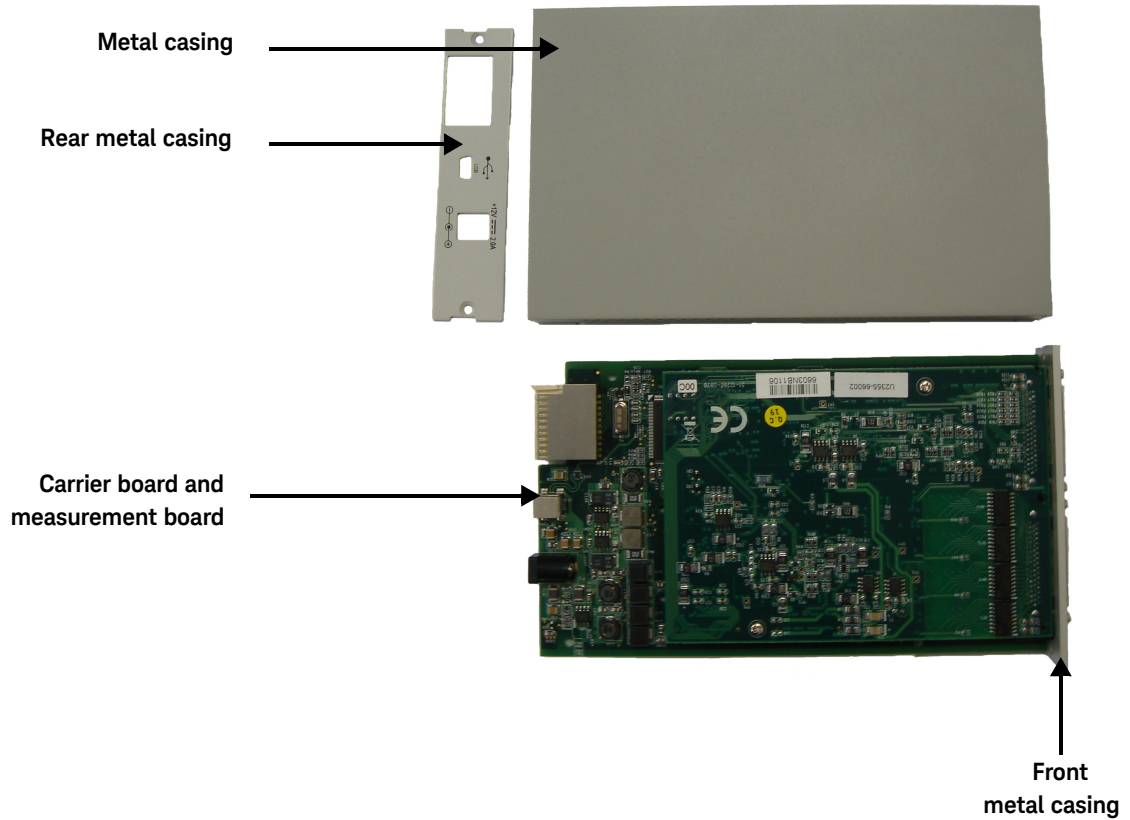
Step 5: Gently pull the front metal piece out, which is attached to the carrier and measurement boards.



Step 6: Unscrew all the following indicated screws from the metal casing and remove the rear metal piece



Disassembled parts:



Replacement Parts

This section provides the information of orderable replacement parts for U2300A Series DAQ devices. The parts available for replacement are listed in the table below with the reference part numbers and the respective part names.

You can order the replacement parts from Keysight using the part number provided in the table below. To order replacement parts from Keysight, do the following:

- 1** Identify the Keysight part number of the required parts as shown in the replacement parts list.
- 2** Contact your nearest Keysight Sales Office or Service Center.
- 3** Provide the instrument model number and serial number.

Table 3-1 Replacement parts list

Part Number	Part Name
U2351-60002	Metal Casing
5190-0013	Plastic Cover
U2351-00201	Rear Metal Piece
U2351-61201	L-shape Mount

4 Troubleshooting and Self-Test Procedures

Troubleshooting	52
Self-Test Procedures	53

This chapter provides the information on general troubleshooting and self-test procedures.

Troubleshooting

This section provides suggestions for solving general problems that you may encounter with the instrument. It guides you on what to check in the following situations:

1. Power Indicator LED is not lit

Verify that the ac power cord is connected to the power inlet in the DAQ device.

2. Power Indicator LED is lit but the AO/ AI Indicator LED is not lit

Verify that the USB cable is connected to the PC and the USB inlet in the DAQ device.

3. Power Indicator LED is lit and AO/ AI Indicator LED is lit

Verify if the SCPI commands are correct with “**SYSTem:ERRor?**” command.

Refer to *U2300A Series USB Multifunction Programming Guide* for SCPI error messages.

4. Power Indicator LED is flashing

Verify that the green LED on the AC/DC adapter is steady. If the LED continues to flash, then there is a hardware defect. Please contact the Keysight Service Center for repair.

If the Keysight U2300A Series USB Multifunction DAQ module is installed in the U2781A 6-slot mainframe, then remove it temporarily and use the AC/DC adapter shipped with the Keysight U2300A Series USB Multifunction DAQ module to power it up.

NOTE

If there is no response from the instrument, contact the nearest Keysight Service Center to obtain further assistance.

Self-Test Procedures

WARNING

Do not connect any cables and terminal block prior to performing self-test procedures.

- 1 Go to **Start > All Programs > Keysight IO Libraries Suite > Keysight Connection Expert** to launch the Keysight Connection Expert.
- 2 Go to **Start > All Programs > Keysight T&M Toolkit > Keysight Interactive IO** to launch the Interactive I/O dialog box.
- 3 Send the SCPI command “*TST?” to the instrument to start perform the self-test of the instrument.
- 4 The command will return either “+0” to indicate all tests passes or “+1” to indicate one or more tests failed.
- 5 If the command returns “+1”, apply SCPI command “SYSTem:ERRor?” to enquire the error message.

NOTE

Refer to *Keysight U2300A Series USB Multifunction Data Acquisition Programming Guide* for SCPI error messages.

THIS PAGE HAS BEEN INTENTIONALLY LEFT BLANK.

A Connector Pins Configuration

Pins Configuration for U2331A, U2355A and U2356A [56](#)

Pins Configuration for U2351A, U2352A, U2353A and U2354A [57](#)

This appendix attached the pins configuration for all the U2300A Series DAQ devices.

Pins Configuration for U2331A, U2355A and U2356A

The U2300A Series DAQ is equipped with 68-pin very high density cable interconnect (VHDCI) type connectors.

AI101 (AIH 101)	1	35	(AIL101)	AI133
AI102 (AIH 102)	2	36	(AIL102)	AI134
AI103 (AIH 103)	3	37	(AIL103)	AI135
AI104 (AIH 104)	4	38	(AIL104)	AI136
AI105 (AIH 105)	5	39	(AIL105)	AI137
AI106 (AIH 106)	6	40	(AIL106)	AI138
AI107 (AIH 107)	7	41	(AIL107)	AI139
AI108 (AIH 108)	8	42	(AIL108)	AI140
AI109 (AIH 109)	9	43	(AIL109)	AI141
AI110 (AIH 110)	10	44	(AIL110)	AI142
AI111 (AIH 111)	11	45	(AIL111)	AI143
AI112 (AIH 112)	12	46	(AIL112)	AI144
AI113 (AIH 113)	13	47	(AIL113)	AI145
AI114 (AIH 114)	14	48	(AIL114)	AI146
AI115 (AIH 115)	15	49	(AIL115)	AI147
AI116 (AIH 116)	16	50	(AIL116)	AI148
AI_SENSE	17	51	AI_GND	
AI117 (AIH 117)	18	52	(AIL117)	AI149
AI118 (AIH 118)	19	53	(AIL118)	AI150
AI119 (AIH 119)	20	54	(AIL119)	AI151
AI120 (AIH 120)	21	55	(AIL120)	AI152
AI121 (AIH 121)	22	56	(AIL121)	AI153
AI122 (AIH 122)	23	57	(AIL122)	AI154
AI123 (AIH 123)	24	58	(AIL123)	AI155
AI124 (AIH 124)	25	59	(AIL124)	AI156
AI125 (AIH 125)	26	60	(AIL125)	AI157
AI126 (AIH 126)	27	61	(AIL126)	AI158
AI127 (AIH 127)	28	62	(AIL127)	AI159
AI128 (AIH 128)	29	63	(AIL128)	AI160
AI129 (AIH 129)	30	64	(AIL129)	AI161
AI130 (AIH 130)	31	65	(AIL130)	AI162
AI131 (AIH 131)	32	66	(AIL131)	AI163
AI132 (AIH 132)	33	67	(AIL132)	AI164
EXTA_TRIG	34	68	AI_GND	

Figure A-1 Pins Configuration of Connector 1 for U2331A, U2355A, U2356A

A0201	1	35	AO_GND		
A0202	2	36	AO_GND		
AO_EXT_REF	3	37	AO_GND		
NC	4	38	NC		
D_GND	5	39	D_GND		
EXTD_AO_TRIG	6	40	D_GND		
EXTD_AI_TRIG	7	41	D_GND		
RESERVED	8	42	RESERVED		
RESERVED	9	43	RESERVED		
RESERVED	10	44	RESERVED		
RESERVED	11	45	RESERVED		
RESERVED	12	46	D_GND		
COUNT301_CLK	13	47	D_GND		
COUNT301_GATE	14	48	D_GND		
COUNT301_UPDOWN	15	49	D_GND		
COUNT301_OUT	16	50	D_GND		
COUNT302_CLK	17	51	D_GND		
COUNT302_GATE	18	52	D_GND		
COUNT302_UPDOWN	19	53	D_GND		
COUNT302_OUT	20	54	D_GND		
EXT_TIMEBASE	21	55	D_GND		
DIO502	Bit-7	22	56	Bit-6	DIO502
	Bit-5	23	57	Bit-4	
	Bit-3	24	58	Bit-2	
DIO504	Bit-1	25	59	Bit-0	DIO504
	Bit-3	26	60	Bit-2	
DIO503	Bit-1	27	61	Bit-0	DIO503
	D_GND	28	62	D_GND	
DIO501	Bit-3	29	63	Bit-2	DIO501
	Bit-1	30	64	Bit-0	
	Bit-7	31	65	Bit-6	
	Bit-5	32	66	Bit-4	
	Bit-3	33	67	Bit-2	
	Bit-1	34	68	Bit-0	

Figure A-2 Pins Configuration of Connector 2 for U2331A, U2355A, U2356A

NOTE

(AIH101..132) and (AIL101..132) are for differential mode connection pair.

Pins Configuration for U2351A, U2352A, U2353A and U2354A

AI101 (AIH101)	1	35	(AIL101)	AI109
AI102 (AIH102)	2	36	(AIL102)	AI110
AI103 (AIH103)	3	37	(AIL103)	AI111
AI104 (AIH104)	4	38	(AIL104)	AI112
AI_SENSE	5	39	AI_GND	
AI105 (AIH105)	6	40	(AIL105)	AI113
AI106 (AIH106)	7	41	(AIL106)	AI114
AI107 (AIH107)	8	42	(AIL107)	AI115
AI108 (AIH108)	9	43	(AIL108)	AI116
NC	10	44	NC	
NC	11	45	EXTD_AI_TRIG	
NC	12	46	RESERVED	
NC	13	47	GND	
COUNT301_CLK	14	48	NC	
COUNT301_GATE	15	49	RESERVED	
COUNT301_UPDOWN	16	50	GND	
COUNT301_OUT	17	51	RESERVED	
COUNT302_CLK	18	52	NC	
COUNT302_GATE	19	53	EXTA_TRIG	
COUNT302_UPDOWN	20	54	EXT_TIMBASE	
COUNT302_OUT	21	55	GND	
DI0502	Bit-7	22	56	Bit-6
	Bit-5	23	57	Bit-4
	Bit-3	24	58	Bit-2
DI0504	Bit-1	25	59	Bit-0
	Bit-3	26	60	Bit-2
DI0503	Bit-1	27	61	Bit-0
	D_GND	28	62	D_GND
DI0501	Bit-3	29	63	Bit-2
	Bit-1	30	64	Bit-0
DI0501	Bit-7	31	65	Bit-6
	Bit-5	32	66	Bit-4
	Bit-3	33	67	Bit-2
	Bit-1	34	68	Bit-0

Figure A-3 Pins Configuration for U2352A, U2354A

AI101 (AIH101)	1	35	(AIL101)	AI109
AI102 (AIH102)	2	36	(AIL102)	AI110
AI103 (AIH103)	3	37	(AIL103)	AI111
AI104 (AIH104)	4	38	(AIL104)	AI112
AI_SENSE	5	39	AI_GND	
AI105 (AIH105)	6	40	(AIL105)	AI113
AI106 (AIH106)	7	41	(AIL106)	AI114
AI107 (AIH107)	8	42	(AIL107)	AI115
AI108 (AIH108)	9	43	(AIL108)	AI116
AO201	10	44	EXTD_AO_TRIG	
AO_GND	11	45	EXTD_AI_TRIG	
AO202	12	46	RESERVED	
AO_EXT_REF	13	47	GND	
COUNT301_CLK	14	48	RESERVED	
COUNT301_GATE	15	49	RESERVED	
COUNT301_UPDOWN	16	50	GND	
COUNT301_OUT	17	51	RESERVED	
COUNT302_CLK	18	52	RESERVED	
COUNT302_GATE	19	53	EXTA_TRIG	
COUNT302_UPDOWN	20	54	EXT_TIMBASE	
COUNT302_OUT	21	55	GND	
DI0502	Bit-7	22	56	Bit-6
	Bit-5	23	57	Bit-4
	Bit-3	24	58	Bit-2
DI0504	Bit-1	25	59	Bit-0
	Bit-3	26	60	Bit-2
DI0503	Bit-1	27	61	Bit-0
	D_GND	28	62	D_GND
DI0501	Bit-3	29	63	Bit-2
	Bit-1	30	64	Bit-0
DI0501	Bit-7	31	65	Bit-6
	Bit-5	32	66	Bit-4
	Bit-3	33	67	Bit-2
	Bit-1	34	68	Bit-0

Figure A-4 Pins Configuration for U2351A, U2353A

NOTE

(AIH101..108) and (AIL101..108) are for differential mode connection pair.

Table A-1 68-pin VHDCI connector pins descriptions

Signal Name	Direction	Reference Ground	Description
AI_GND	N/A	N/A	Analog input (AI) ground. All three ground references (AI_GND, AO_GND, and D_GND) are connected together on board.
For 16 Channels: AI<101..116>	Input	AI_GND	U2351A/U2352A/U2353A/U2354A Analog input channels 101~116. Each channel pair, AI<i, i+8> (i = 101..108), can be configured either as two single-ended inputs or one differential input (marked as AIH<101..108> and AIL<101..108>).
For 64 Channels: AI<101..164>			U2331A/U2356A/U2355A Analog input channels 101~164). Each channel pair, AI<i, i+32> (i = 101..132), is configured either as two single-ended inputs or one differential input (marked as AIH<101..132> and AIL<101..132>).
AI_SENSE	Input	AI_GND	Analog input sense. The reference pin for any AI<101..116> or AI<101..164> channels in NRSE input configuration.
EXTA_TRIG	Input	AI_GND	External AI analog trigger
AO201	Output	AO_GND	Analog output channel 1
AO202	Output	AO_GND	Analog output channel 2
AO_EXT_REF	Input	AO_GND	External reference for AO channels
AO_GND	N/A	N/A	Analog ground for AO
EXTD_AO_TRIG	Input	D_GND	External AO waveform trigger
EXTD_AI_TRIG	Input	D_GND	External AI digital trigger
RESERVED	Output	N/A	Reserved pins. Do not connect them to any signal.
COUNT<301,302>_CLK	Input	D_GND	Source of counter <301,302>
COUNT<301,302>_GATE	Input	D_GND	Gate of counter <301,302>
COUNT<301,302>_OUT	Input	D_GND	Output of counter <301,302>
COUNT<301,302>_UPDOWN	Input	D_GND	Up/Down of counter <301,302>
EXT_TIMEBASE	Input	D_GND	External Timebase
D_GND	N/A	N/A	Digital ground

Table A-1 68-pin VHDCI connector pins descriptions (continued)

Signal Name	Direction	Reference Ground	Description
DIO501<7,0>	PIO	D_GND	Programmable DIO of Channel 501
DIO502<7,0>	PIO	D_GND	Programmable DIO of Channel 502
DIO503<4,0>	PIO	D_GND	Programmable DIO of Channel 503
DIO504<4,0>	PIO	D_GND	Programmable DIO of Channel 504

THIS PAGE HAS BEEN INTENTIONALLY LEFT BLANK.

B Test Limits

Analog Input	62
Analog Output	68

This appendix provides the test limits for analog input and analog output when performing the verification procedure.

Analog Input

Analog Input U2351A, U2352A, U2353A, U2354A:								
Offset/Gain Error (V)	Setting	Range (V)		Test Point (V)		Test Limit (V)		Test Result
	Polarity	Min	Max	Location	Value	Lower	Upper	Reading
0.001	BIP	-10	10	Center FS	0.00000	-0.00100	0.00100	Offset = DAQ reading – Calibrator source voltage
0.002	BIP	-10	10	Positive FS	9.98779	9.98579	9.98979	DAQ reading – Offset
0.002	BIP	-10	10	Negative FS	-9.98779	-9.98979	-9.98579	DAQ reading – Offset
0.001	BIP	-5	5	Center FS	0.00000	-0.00100	0.00100	Offset = DAQ reading – Calibrator source voltage
0.002	BIP	-5	5	Positive FS	4.99390	4.99190	4.99590	DAQ reading – Offset
0.002	BIP	-5	5	Negative FS	-4.99390	-4.99590	-4.99190	DAQ reading – Offset
0.001	BIP	-2.5	2.5	Center FS	0.00000	-0.00100	0.00100	Offset = DAQ reading – Calibrator source voltage
0.0015	BIP	-2.5	2.5	Positive FS	2.49695	2.49545	2.49845	DAQ reading – Offset
0.0015	BIP	-2.5	2.5	Negative FS	-2.49695	-2.49845	-2.49545	DAQ reading – Offset
0.001	BIP	-1.25	1.25	Center FS	0.00000	-0.00100	0.00100	Offset = DAQ reading – Calibrator source voltage
0.0015	BIP	-1.25	1.25	Positive FS	1.24847	1.24697	1.24997	DAQ reading – Offset
0.0015	BIP	-1.25	1.25	Negative FS	-1.24847	-1.24997	-1.24697	DAQ reading – Offset
0.0015	UNIP	0	10	Center FS	5.00000	4.99850	5.00150	Offset = DAQ reading – Calibrator source voltage
0.002	UNIP	0	10	Positive FS	9.99390	9.99190	9.99590	DAQ reading – Offset
0.002	UNIP	0	10	Negative FS	0.00610	0.00410	0.00810	DAQ reading – Offset
0.0015	UNIP	0	5	Center FS	2.50000	2.49850	2.50150	Offset = DAQ reading – Calibrator source voltage
0.002	UNIP	0	5	Positive FS	4.99695	4.99495	4.99895	DAQ reading – Offset

Analog Input U2351A, U2352A, U2353A, U2354A:								
Offset/Gain Error (V)	Setting	Range (V)		Test Point (V)		Test Limit (V)		Test Result
	Polarity	Min	Max	Location	Value	Lower	Upper	Reading
0.002	UNIP	0	5	Negative FS	0.00305	0.00105	0.00505	DAQ reading - Offset
0.001	UNIP	0	2.5	Center FS	1.25000	1.24900	1.25100	Offset = DAQ reading - Calibrator source voltage
0.001	UNIP	0	2.5	Positive FS	2.49847	2.49747	2.49947	DAQ reading - Offset
0.001	UNIP	0	2.5	Negative FS	0.00153	0.00053	0.00253	DAQ reading - Offset
0.001	UNIP	0	1.25	Center FS	0.62500	0.62400	0.62600	Offset = DAQ reading - Calibrator source voltage
0.001	UNIP	0	1.25	Positive FS	1.24924	1.24824	1.25024	DAQ reading - Offset
0.001	UNIP	0	1.25	Negative FS	0.00076	-0.00024	0.00176	DAQ reading - Offset

Analog Input U2355A, U2356A:								
Offset/Gain Error (V)	Setting	Range (V)		Test Point (V)		Test Limit (V)		Test Result
	Polarity	Min	Max	Location	Value	Lower	Upper	Reading
0.001	BIP	-10	10	Center FS	0.00000	-0.00100	0.00100	Offset = DAQ reading - Calibrator source voltage
0.002	BIP	-10	10	Positive FS	9.98779	9.98579	9.98979	DAQ reading - Offset
0.002	BIP	-10	10	Negative FS	-9.98779	-9.98979	-9.98579	DAQ reading - Offset
0.001	BIP	-5	5	Center FS	0.00000	-0.00100	0.00100	Offset = DAQ reading - Calibrator source voltage
0.002	BIP	-5	5	Positive FS	4.99390	4.99190	4.99590	DAQ reading - Offset
0.002	BIP	-5	5	Negative FS	-4.99390	-4.99590	-4.99190	DAQ reading - Offset
0.001	BIP	-2.5	2.5	Center FS	0.00000	-0.00100	0.00100	Offset = DAQ reading - Calibrator source voltage
0.0015	BIP	-2.5	2.5	Positive FS	2.49695	2.49545	2.49845	DAQ reading - Offset

B Test Limits

Analog Input U2355A, U2356A:								
Offset/Gain Error (V)	Setting	Range (V)		Test Point (V)		Test Limit (V)		Test Result
	Polarity	Min	Max	Location	Value	Lower	Upper	Reading
0.0015	BIP	-2.5	2.5	Negative FS	-2.49695	-2.49845	-2.49545	DAQ reading – Offset
0.001	BIP	-1.25	1.25	Center FS	0.00000	-0.00100	0.00100	Offset = DAQ reading – Calibrator source voltage
0.0015	BIP	-1.25	1.25	Positive FS	1.24847	1.24697	1.24997	DAQ reading – Offset
0.0015	BIP	-1.25	1.25	Negative FS	-1.24847	-1.24997	-1.24697	DAQ reading – Offset
0.001	UNIP	0	10	Center FS	5.00000	4.99900	5.00100	Offset = DAQ reading – Calibrator source voltage
0.0015	UNIP	0	10	Positive FS	9.99390	9.99240	9.99540	DAQ reading – Offset
0.0015	UNIP	0	10	Negative FS	0.00610	0.00460	0.00760	DAQ reading – Offset
0.001	UNIP	0	5	Center FS	2.50000	2.49900	2.50100	Offset = DAQ reading – Calibrator source voltage
0.0015	UNIP	0	5	Positive FS	4.99695	4.99545	4.99845	DAQ reading – Offset
0.0015	UNIP	0	5	Negative FS	0.00305	0.00155	0.00455	DAQ reading – Offset
0.001	UNIP	0	2.5	Center FS	1.25000	1.24900	1.25100	Offset = DAQ reading – Calibrator source voltage
0.001	UNIP	0	2.5	Positive FS	2.49847	2.49747	2.49947	DAQ reading – Offset
0.001	UNIP	0	2.5	Negative FS	0.00153	0.00053	0.00253	DAQ reading – Offset
0.001	UNIP	0	1.25	Center FS	0.62500	0.62400	0.62600	Offset = DAQ reading – Calibrator source voltage
0.001	UNIP	0	1.25	Positive FS	1.24924	1.24824	1.25024	DAQ reading – Offset
0.001	UNIP	0	1.25	Negative FS	0.00076	-0.00024	0.00176	DAQ reading – Offset

Analog Input U2331A:								
Offset/Gain Error (V)	Setting	Range (V)		Test Point (V)		Test Limit (V)		Test Result
	Polarity	Min	Max	Location	Value	Lower	Upper	Reading
0.002	BIP	-10	10	Center FS	0.00000	-0.00200	0.00200	Offset = DAQ reading - Calibrator source voltage
0.006	BIP	-10	10	Positive FS	9.80469	9.79869	9.81069	DAQ reading - Offset
0.006	BIP	-10	10	Negative FS	-9.80469	-9.81069	-9.79869	DAQ reading - Offset
0.0015	BIP	-5	5	Center FS	0.00000	-0.00150	0.00150	Offset = DAQ reading - Calibrator source voltage
0.004	BIP	-5	5	Positive FS	4.90234	4.89834	4.90634	DAQ reading - Offset
0.004	BIP	-5	5	Negative FS	-4.90234	-4.90634	-4.89834	DAQ reading - Offset
0.0015	BIP	-2.5	2.5	Center FS	0.00000	-0.00150	0.00150	Offset = DAQ reading - Calibrator source voltage
0.002	BIP	-2.5	2.5	Positive FS	2.45117	2.44917	2.45317	DAQ reading - Offset
0.002	BIP	-2.5	2.5	Negative FS	-2.45117	-2.45317	-2.44917	DAQ reading - Offset
0.001	BIP	-1.25	1.25	Center FS	0.00000	-0.00100	0.00100	Offset = DAQ reading - Calibrator source voltage
0.0015	BIP	-1.25	1.25	Positive FS	1.22559	1.22409	1.22709	DAQ reading - Offset
0.0015	BIP	-1.25	1.25	Negative FS	-1.22559	-1.22709	-1.22409	DAQ reading - Offset
0.001	BIP	-1	1	Center FS	0.00000	-0.00100	0.00100	Offset = DAQ reading - Calibrator source voltage
0.001	BIP	-1	1	Positive FS	0.98047	0.97947	0.98147	DAQ reading - Offset
0.001	BIP	-1	1	Negative FS	-0.98047	-0.98147	-0.97947	DAQ reading - Offset
0.001	BIP	-0.5	0.5	Center FS	0.00000	-0.00100	0.00100	Offset = DAQ reading - Calibrator source voltage
0.001	BIP	-0.5	0.5	Positive FS	0.49023	0.48923	0.49123	DAQ reading - Offset
0.001	BIP	-0.5	0.5	Negative FS	-0.49023	-0.49123	-0.48923	DAQ reading - Offset
0.001	BIP	-0.25	0.25	Center FS	0.00000	-0.00100	0.00100	Offset = DAQ reading - Calibrator source voltage

B Test Limits

Analog Input U2331A:								
Offset/Gain Error (V)	Setting	Range (V)		Test Point (V)		Test Limit (V)		Test Result
	Polarity	Min	Max	Location	Value	Lower	Upper	Reading
0.001	BIP	-0.25	0.25	Positive FS	0.24512	0.24412	0.24612	DAQ reading – Offset
0.001	BIP	-0.25	0.25	Negative FS	-0.24512	-0.24612	-0.24412	DAQ reading – Offset
0.001	BIP	-0.2	0.2	Center FS	0.00000	-0.00100	0.00100	Offset = DAQ reading – Calibrator source voltage
0.001	BIP	-0.2	0.2	Positive FS	0.19609	0.19509	0.19709	DAQ reading – Offset
0.001	BIP	-0.2	0.2	Negative FS	-0.19609	-0.19709	-0.19509	DAQ reading – Offset
0.001	BIP	-0.05	0.05	Center FS	0.00000	-0.00100	0.00100	Offset = DAQ reading – Calibrator source voltage
0.001	BIP	-0.05	0.05	Positive FS	0.04902	0.04802	0.05002	DAQ reading – Offset
0.001	BIP	-0.05	0.05	Negative FS	-0.04902	-0.05002	-0.04802	DAQ reading – Offset
0.0015	UNIP	0	10	Center FS	5.00000	4.99850	5.00150	Offset = DAQ reading – Calibrator source voltage
0.004	UNIP	0	10	Positive FS	9.90234	9.89834	9.90634	DAQ reading – Offset
0.004	UNIP	0	10	Negative FS	0.09766	0.09366	0.10166	DAQ reading – Offset
0.0015	UNIP	0	5	Center FS	2.50000	2.49850	2.50150	Offset = DAQ reading – Calibrator source voltage
0.002	UNIP	0	5	Positive FS	4.95117	4.94917	4.95317	DAQ reading – Offset
0.002	UNIP	0	5	Negative FS	0.04883	0.04683	0.05083	DAQ reading – Offset
0.001	UNIP	0	4	Center FS	2.00000	1.99850	2.00150	Offset = DAQ reading – Calibrator source voltage
0.0015	UNIP	0	4	Positive FS	3.96094	3.95894	3.96294	DAQ reading – Offset
0.0015	UNIP	0	4	Negative FS	0.03906	0.03706	0.04106	DAQ reading – Offset
0.001	UNIP	0	2.5	Center FS	1.25000	1.24900	1.25100	Offset = DAQ reading – Calibrator source voltage
0.001	UNIP	0	2.5	Positive FS	2.47559	2.47409	2.47709	DAQ reading – Offset
0.001	UNIP	0	2.5	Negative FS	0.02441	0.02291	0.02591	DAQ reading – Offset

Analog Input U2331A:								
Offset/Gain Error (V)	Setting	Range (V)		Test Point (V)		Test Limit (V)		Test Result
	Polarity	Min	Max	Location	Value	Lower	Upper	Reading
0.001	UNIP	0	2	Center FS	1.0000	0.99900	1.00100	Offset = DAQ reading – Calibrator source voltage
0.001	UNIP	0	2	Positive FS	1.98047	1.97947	1.98147	DAQ reading – Offset
0.001	UNIP	0	2	Negative FS	0.01953	0.01853	0.02053	DAQ reading – Offset
0.001	UNIP	0	1	Center FS	0.50000	0.49900	0.50100	Offset = DAQ reading – Calibrator source voltage
0.001	UNIP	0	1	Positive FS	0.99023	0.98923	0.99123	DAQ reading – Offset
0.001	UNIP	0	1	Negative FS	0.00977	0.00877	0.01077	DAQ reading – Offset
0.001	UNIP	0	0.5	Center FS	0.25000	0.24900	0.25100	Offset = DAQ reading – Calibrator source voltage
0.001	UNIP	0	0.5	Positive FS	0.49512	0.49412	0.49612	DAQ reading – Offset
0.001	UNIP	0	0.5	Negative FS	0.00488	0.00388	0.00588	DAQ reading – Offset
0.001	UNIP	0	0.4	Center FS	0.20000	0.19900	0.20100	Offset = DAQ reading – Calibrator source voltage
0.001	UNIP	0	0.4	Positive FS	0.39609	0.39509	0.39709	DAQ reading – Offset
0.001	UNIP	0	0.4	Negative FS	0.00391	0.00291	0.00491	DAQ reading – Offset
0.001	UNIP	0	0.1	Center FS	0.05000	0.04900	0.05100	Offset = DAQ reading – Calibrator source voltage
0.001	UNIP	0	0.1	Positive FS	0.09902	0.09802	0.10002	DAQ reading – Offset
0.001	UNIP	0	0.1	Negative FS	0.00098	-0.00002	0.00198	DAQ reading – Offset

Analog Output

Analog Output U2351A, U2353A:								
Offset/Gain Error (V)	Setting	Range (V)		Test Point (V)		Test Limit (V)		Test Result
	Polarity	Min	Max	Location	Value	Lower	Upper	Reading
0.001	BIP	-10	10	0	0.0000	-0.0010	0.0010	Offset = DMM reading – DAQ source voltage
0.004	BIP	-10	10	Positive FS	9.9997	9.9957	10.0037	DMM reading – Offset
0.004	BIP	-10	10	Negative FS	-10.0000	-10.0040	-9.9960	DMM reading – Offset
0.001	UNIP	0	10	0	0.0000	-0.0010	0.0010	Offset = DMM reading – DAQ source voltage
0.002	UNIP	0	10	Positive FS	9.9998	9.9978	10.0018	DMM reading – Offset

Analog Output U2355A, U2356A:								
Offset/Gain Error (V)	Setting	Range (V)		Test Point (V)		Test Limit (V)		Test Result
	Polarity	Min	Max	Location	Value	Lower	Upper	Reading
0.001	BIP	-10	10	0	0.0000	-0.0010	0.0010	Offset = DMM reading – DAQ source voltage
0.004	BIP	-10	10	Positive FS	9.9951	9.9911	9.9991	DMM reading – Offset
0.004	BIP	-10	10	Negative FS	-10.0000	-10.0040	-9.9960	DMM reading – Offset
0.001	UNIP	0	10	0	0.0000	-0.0010	0.0010	Offset = DMM reading – DAQ source voltage
0.002	UNIP	0	10	Positive FS	9.9976	9.9956	9.9996	DMM – Offset

Analog Output U2331A:									
Offset/Gain Error (V)	Setting	Range (V)		Test Point (V)		Test Limit (V)		Test Result	
	Polarity	Min	Max	Location	Value	Lower	Upper	Reading	
0.0015	BIP	-10	10	0	0.0000	-0.0015	0.0015	Offset = DMM reading - DAQ source voltage	
0.004	BIP	-10	10	Positive FS	9.9951	9.9911	9.9991	DMM reading - Offset	
0.004	BIP	-10	10	Negative FS	-10.0000	-10.0040	-9.9960	DMM reading - Offset	
0.0025	UNIP	0	10	0	0.0000	-0.0025	0.0025	Offset = DMM reading - DAQ source voltage	

THIS PAGE HAS BEEN INTENTIONALLY LEFT BLANK.



This information is subject to change without notice. Always refer to the Keysight website for the latest revision.

© Keysight Technologies 2007 – 2017
Edition 7, June 1, 2017

Printed in Malaysia



U2351-90203

www.keysight.com