

Errata

Title & Document Type: 54520A/40A Digitizing Oscilloscopes Series Quick Start Guide

Manual Part Number: 54542-92001

Revision Date: August 1993

HP References in this Manual

This manual may contain references to HP or Hewlett-Packard. Please note that Hewlett-Packard's former test and measurement, semiconductor products and chemical analysis businesses are now part of Agilent Technologies. We have made no changes to this manual copy. The HP XXXX referred to in this document is now the Agilent XXXX. For example, model number HP8648A is now model number Agilent 8648A.

About this Manual

We've added this manual to the Agilent website in an effort to help you support your product. This manual provides the best information we could find. It may be incomplete or contain dated information, and the scan quality may not be ideal. If we find a better copy in the future, we will add it to the Agilent website.

Support for Your Product

Agilent no longer sells or supports this product. You will find any other available product information on the Agilent Test & Measurement website:

www.tm.agilent.com

Search for the model number of this product, and the resulting product page will guide you to any available information. Our service centers may be able to perform calibration if no repair parts are needed, but no other support from Agilent is available.

Quick Reference Guide

HP 54520A, 54522A 54540A, and 54542A

Digitizing Oscilloscopes

Use this *Quick Reference Guide* to find often used procedures and menu structures. To get started quickly with these instruments, use the *HP 54520 and 54540 Series Oscilloscopes Quick Start Guide*. For more in-depth information see the *HP 54520A and 54540A Series Oscilloscopes User's Reference*.

To use shifted functions

Many keys have two functions, a normal function and a shifted one. Shifted functions are listed in blue above the key.

- Press the (blue) key in the Entry/Measure area.
- Press the key with the shifted function labeled above it.

To make automatic measurements

First display a waveform, then:

- Press the blue (shift) key (Entry/Measure area).
- Press the key that corresponds to the desired measurement (labeled in blue above the key).
- Select the waveform source, *m#*, *c#*, or *f#* (turn the knob until the source of the displayed waveform is highlighted).
- Press key for measurement source (channel number, function number, memory number).

To reset oscilloscope to a known condition

- Press Recall (Setup area).
- Press Ctr (Entry/Measure area).

To undo an autoscale

- Press the (blue) shift key (Entry/Measure area).
- Press the Autoscale key (Control area).

To save a setup to memory

- Press the Save key (Setup area).
- Select memory location using numerical key.

To recall a setup from memory

- Press the Recall key (Setup area).
- Press numerical key to select memory location of setup desired.

To save a waveform to memory

- Press the Wform save key (Menu area).
- Select Waveform on Waveform Save menu.
- Select memory location with numeric keys.
- Select signal source.
- Press the store softkey.

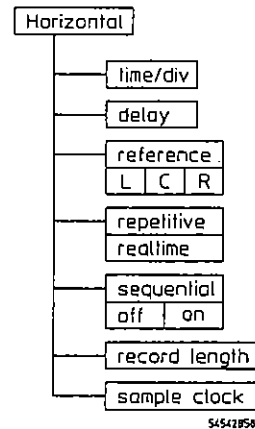
To load a waveform from memory

- Press the Wform save key (Menu area).
- Select Waveform on the Waveform Save menu.
- Press numerical key to select memory location of waveform desired.
- Turn display on with display softkey.

To print hardcopy

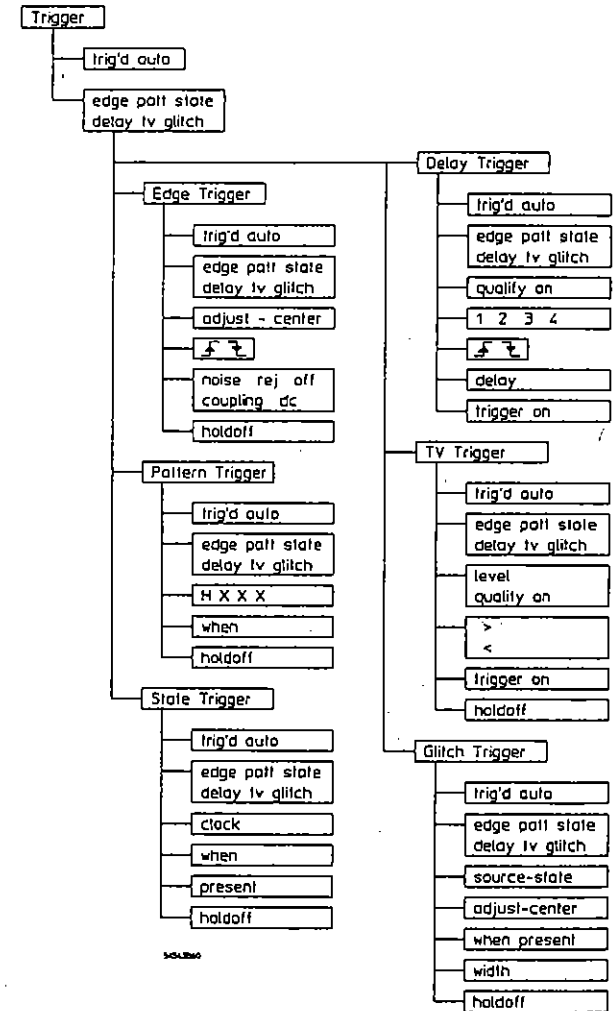
- Press the Utility key (Menu area).
- Press the HPiB/RS232 menu softkey.
- Select HPiB Talk.
- Press the Print key (Control area).

The **Horizontal menu** controls the time base axis.

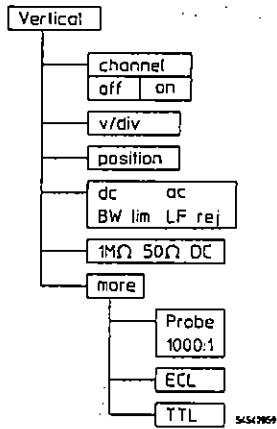


The **Trigger Menu** lets you set trigger conditions for six types of triggers:

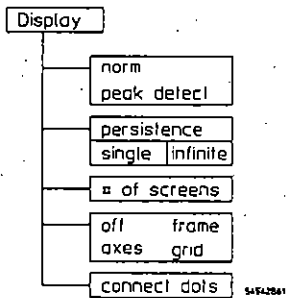
- Edge
- Pattern
- State
- Delay
- TV
- Glitch



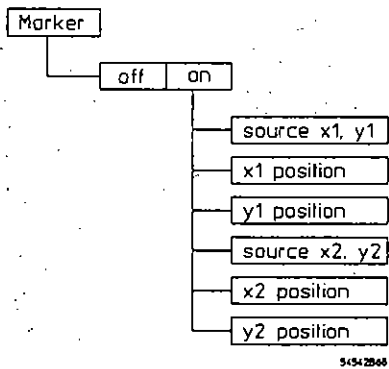
The Vertical menu controls the voltage axis.



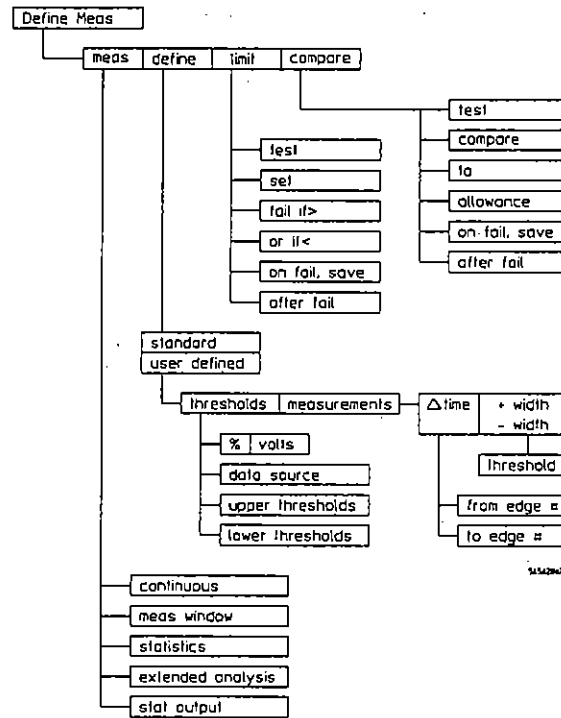
The Display menu controls modes of display and viewing options.



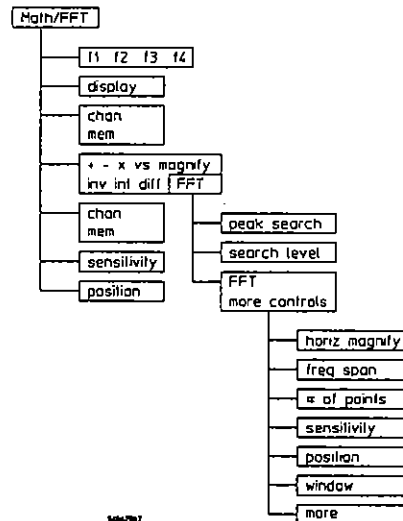
The Marker menu provides marker control.



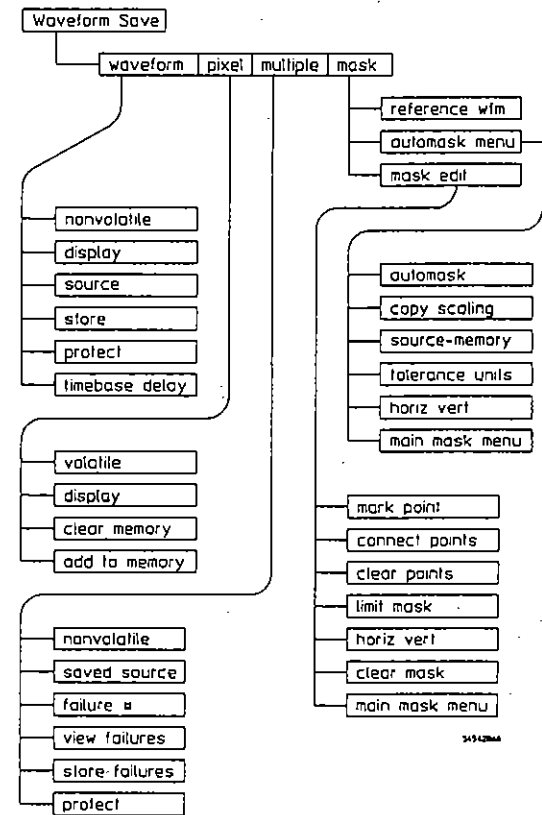
The Define Meas menu defines standards and limits for automatic measurements.



The Math/FFT menu controls waveform math functions.



The Waveform Save menu controls the types of waveforms saved and their locations.



The Utility menu is for internal software, calibration, self tests, and interface control.

© Copyright Hewlett-Packard Company 1993



54542-92001

Printed in the U.S.A. August 1993